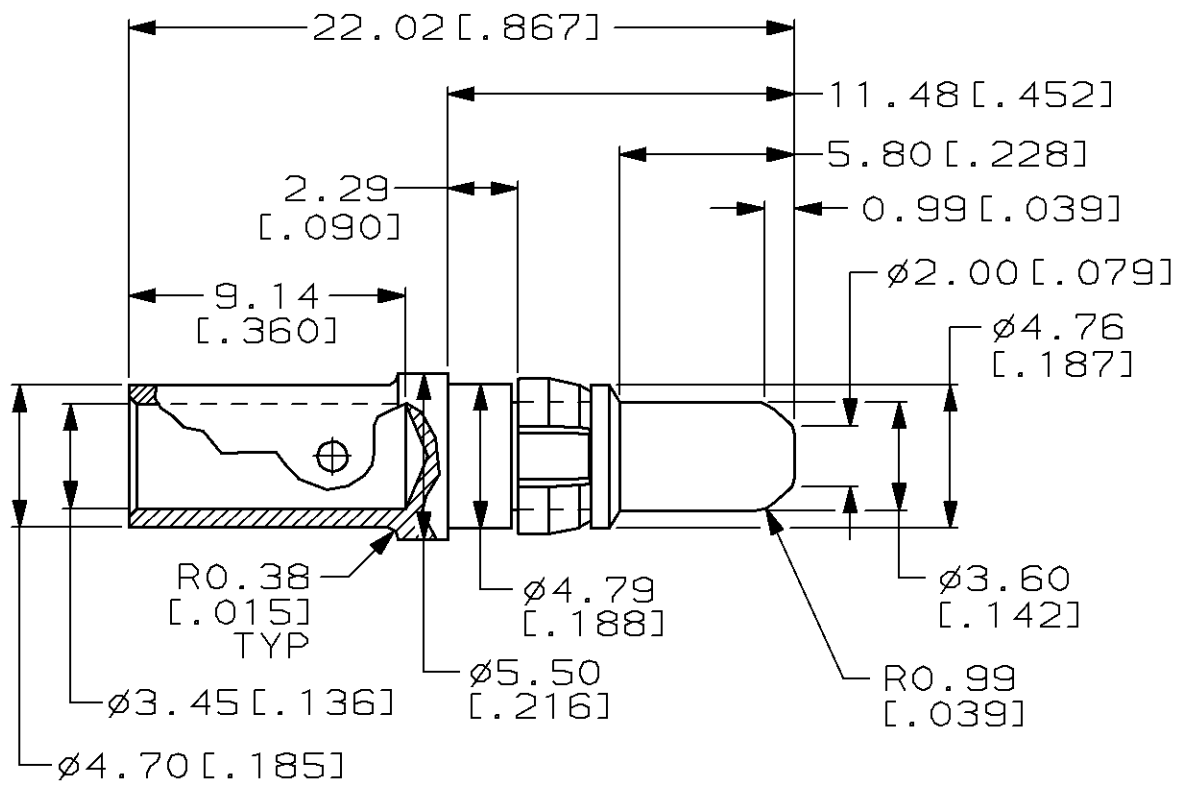


LOC	DIST	REVISIONS					
AD	25	P	LTR	DESCRIPTION	DATE	DWN	APVD
			0	DRAWN	-	-	-

1. WIRE BARREL WILL ACCEPT 10 AWG WIRE.
2. MATES WITH PART NUMBER 148357-1.
3. RECOMMENDED CRIMPING TOOL: DANIELS TOOL #M300-BT, POSITIONER PART NUMBER SP689, SETTING #3, STRIP LENGTH 8.13 [.320].



RELEASED FOR PUBLICATION

ALL RIGHTS RESERVED. BY AMP INCORPORATED. COPYRIGHT 19

0.00076 [.000030] GOLD		CONTACT; BRASS		148406-1	
CONTACT AREA FINISH		MATERIAL		PART NUMBER	
DIMENSIONS: mm TOLERANCES UNLESS OTHERWISE SPECIFIED: 0 PLC ±- 1 PLC ±- 2 PLC ±0.13 [.005] 3 PLC ±- 4 PLC ±- ANGLES ±-		DWN L. BRINER 10/10/97 CHK R. PATTERSON 10/10/97 APVD R. PATTERSON 10/10/97 PRODUCT SPEC - APPLICATION SPEC - WEIGHT -	MATERIAL - FINISH - AMP AMP Incorporated Harrisburg, PA 17105-3608 NAME PIN CONTACT, POWER, EUROCARD TYPE M, 30 AMP SIZE A4 CAGE CODE 00779 DRAWING NO C-148406	CUSTOMER DRAWING SCALE 4:1 SHEET 1 OF 1 REV 0	